

# PRISM

H2064ES

Design By Carl Muller

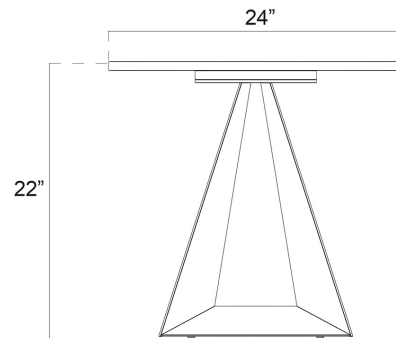


## MATERIALS

FRAME - Elite Powder Coat



TOP - Cultured Stone Top



WEIGHT  
top 30 lbs  
base 20 lbs