

# TRILOGY

H3026RND

Design By Elite

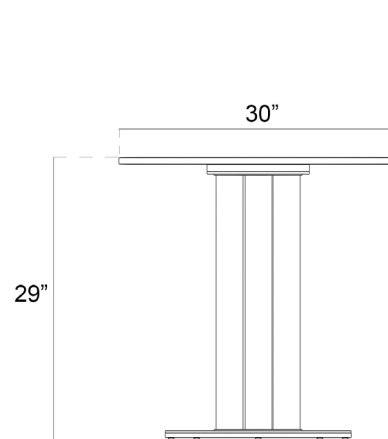


## MATERIALS

FRAME - Elite Powder Coat



TOP - Cultured Stone Top



WEIGHT  
top 51 lbs  
base 40 lbs